



**Sauter GmbH**

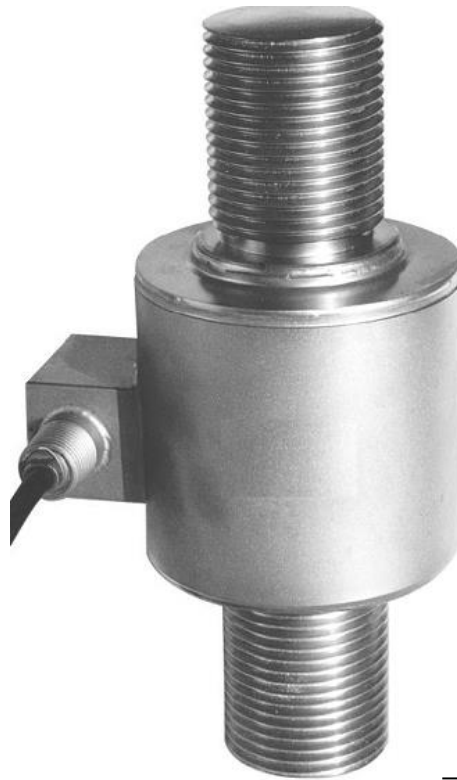
Ziegelei 1  
D-72336 Balingen  
E-Mail: [info@kern-sohn.com](mailto:info@kern-sohn.com)

Tel.: +49-[0]7433-9933-0  
Fax: +49-[0]7433-9933-149  
Internet: [www.sauter.eu](http://www.sauter.eu)

# Instruction Manual / Data sheet

**CD P2**

V. 1.0  
12/2018  
GB



PROFESSIONAL MEASURING

**CD P2-BA-e-1810**



# SAUTER CD P2

V. 1.0 12/2018

## Instruction Manual / Data sheet

---

---

Summarize:

1	Short description .....	3
2	Available models.....	3
3	Introduction.....	3
4	Warning notes.....	3
5	Warranty .....	3
6	Detailed specifications .....	4
7	Wiring.....	4
8	Dimensions in mm.....	5
9	Certificate of Compliance.....	5

## 1 Short description

- Stainless steel IP68 (acc. to EN 60529) compression / tension load cell
- Force measuring compatible
- RoHS conform
- Suitable for vehicle and hopper scales and vehicle testing facilities, test stands
- Accuracy OIML R60 C2

## 2 Available models

Capacity	Model
10t(≈100kN)	CD 10-2P2
20t (≈200kN)	CD 20-2P2
30t (≈300kN)	CD 30-2P2
40t (≈400kN)	CD 40-2P2
50t (≈500kN)	CD 50-2P2
100t (≈1000kN)	CD 100-2P2

## 3 Introduction

Please pay attention to the notes of the operating manual: read these operating manual carefully before commissioning, even if you already have experience with SAUTER measuring cells.

After receiving the measuring cell, it should be checked in advance whether no transport damage has occurred, whether the outer packaging or other parts or even the article itself has been damaged. If any damage is evident, please inform SAUTER GmbH immediately.

## 4 Warning notes

Observe the national accident prevention regulations.

Not correct executed use of the measuring cell can lead to serious injuries, death, material damage and personal injuries. Use only by trained and experienced people. Never load more than the max. capacity to a measuring cell. Overloaded measuring cells no longer have the required accuracy. Overloaded or deformed measuring cells are no longer allowed to use and must be changed quickly.

Never step under suspended loads.

Always fasten overload- or break security to your construction.

Pay attention to the allowed static and dynamic loads of the used equipment.

Let the measuring cells calibrate at regular intervals.

Only load the measuring cell in its specified load direction. Avoid lateral forces.

Control the measuring cells to deformations and cracks.

Measuring cells with 4-Conductor cable will change their characteristic value when shortened or extended the cable length.

## 5 Warranty

The warranty expires at:

- Disregard of the specifications of the operating manual
- Modification or opening the measuring cell
- Overload

- Mechanical damages
- Damage caused by liquids or media
- Natural loss
- Not correct installation

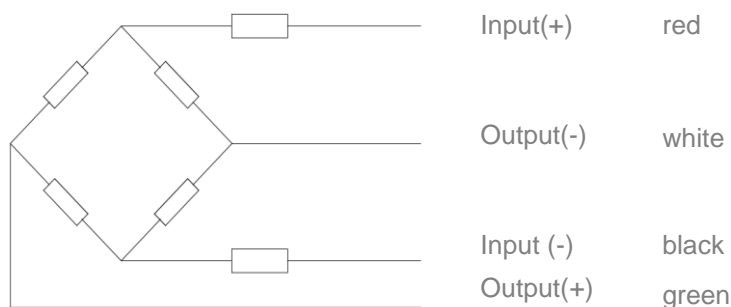
## 6 Detailed specifications

Output sensitivity ( FS )	mV/V	1.5 ± 0.002
Maximum capacity ( E <sub>max</sub> )	t	10, 20, 30, 40, 50, 100
Max.number of load cell intervals	n <sub>LC</sub>	2000
Ratio of min. LC verification interval	$Y = E_{max} / V_{min}$	5000
Combined Error	%FS	≤± 0.03
Minimum dead load	Of E <sub>max</sub>	0%
Safe overload	of E <sub>max</sub>	150 %
Ultimate overload	of E <sub>max</sub>	300 %
Zero balance	of FS	< ± 1.0 %
Excitation, recommended voltage	V	5 ~ 12
Excitation maximum	V	18
Input resistance	Ω	700 ± 7
Output resistance	Ω	703 ± 4
Insulation resistance	MΩ	≥5000 ( at 50VDC )
Compensated temperature	°C	-10 ~ +40
Operating temperature	°C	-35 ~ +65
Storage temperature	°C	-40 ~ +70

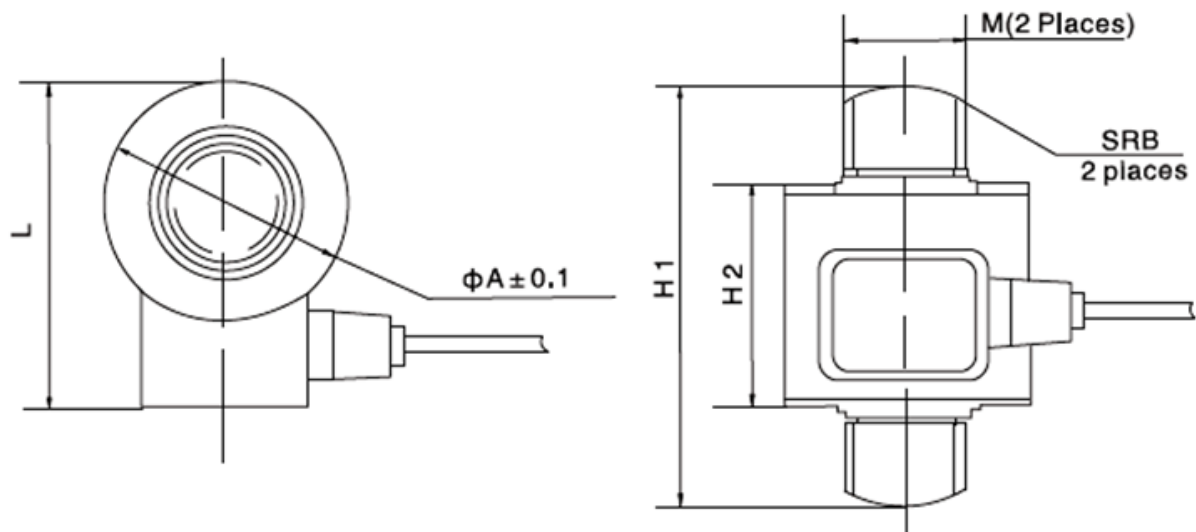
## 7 Wiring

Shielded, 4 conductor cable. Cable diameter: Ø5mm. Standard cable length: 20m.  
Shield not connected to element

4-wire diagram



## 8 Dimensions in mm



Dimension Capacity	H1	H2	ØA	L	SRB	M
10t, 20t	180	69.3	73	99.7	200	M36 x 3
30t	200	70	88.9	115.6	250	M42 x 3
40t, 50t	250	99.3	105	138.3	300	M56 x 4
100t	350	131.9	152.4	183.9	400	M76 x 4

## 9 Certificate of Compliance

The Certificate of Compliance can be downloaded from the website [www.sauter.eu](http://www.sauter.eu)