

# MARSDEN

## T-200 Non-Contact Digital Infrared Thermometer

User Manual



# Contents

Introduction	3
Declaration of Conformity	3
Specification	3
Safety Instructions	4
Parts Identification	5
Status Description	5
Before Operation	6
Mounting the Device	7
Operation	7

Thank you for purchasing this Marsden T-200 Wall Mounted Infrared Thermometer. This thermometer is designed for use in workplaces for screening multiple individuals for high temperature. To ensure accurate use of the T-200, please read this user manual before use and keep to hand for future reference.

## Declaration of Conformity

- This device fulfils the provisions of MDD 93/42/EEC.
- Full responsibility for the conformance of this product to the Standard is assumed by Ben Xiangmei Electronic Technology (Shenzhen) Co. Ltd, Building 101, No. 15, Student Industrial Zone Road, Hongqiaotou Community, Yanlou Street, Baoan District, Shenzhen.
- This device has been tested and homologated in accordance with EN60601-1-2:2015 and EN60601-1:2006 and A12:2014.
- This does not guarantee in any way that the device will not be affected by electromagnetic interference. Avoid using the device in a high electromagnetic environment.

## Specification

<b>Measurement accuracy</b>	34°C - 45°C ± 0.2°C
	The scale must be placed in the operating environment 30 minutes before use.
<b>Infrared Measuring Range</b>	0°C - 50°C
<b>Measuring Distance</b>	5cm – 10cm
<b>Charging Method</b>	USB or rechargeable battery
<b>Response Time</b>	0.5 seconds
<b>Weight</b>	350g
<b>Dimensions</b>	170mm x 115mm x 140mm

# Important Safety Instructions

Before using this device, please read the following instructions with care.

## Batteries

- ⚠ Please use safety-certified batteries.
- ⚠ Remove the rechargeable batteries if the device has not been used for three months, or is not intended to be used for at least three months.

## Disposal

- ⚠ This device should not be treated as regular household or business waste, but should be handed in to an electrical/electronic equipment centre. Disposal of this device should be in accordance with national regulations.

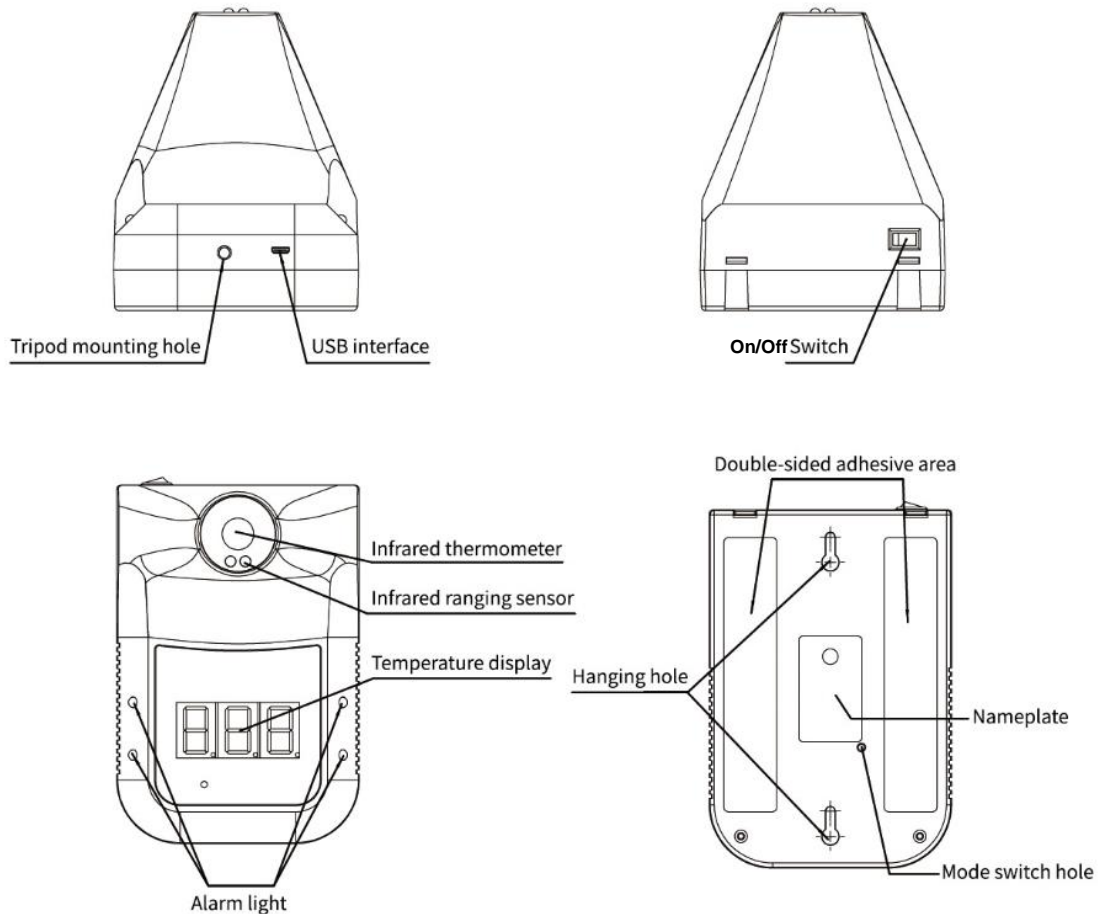
## General Guidance

- ⚠ It is the user's responsibility to evaluate the electromagnetic environment before using the device.
- ⚠ The device must be placed in the operating environment 30 minutes before use.
- ⚠ Do not use the device outdoors or in direct sunlight
- ⚠ Do not expose the device to extreme temperature e.g. >50°C or <-20°C.
- ⚠ Please contact the manufacturer should you require further advice and guidance on how to use and maintain this device.
- ⚠ Do not modify the device in any way.
- ⚠ Do not disassemble the device or attempt the repair it.
- ⚠ Keep the device away from air conditioners and fans.

## Care and Maintenance

- The protective glass over the lens is the most important and fragile part of the thermometer, ensure that this is well maintained.
- The Infrared Sensor is the most precise part, ensure that this is kept clean and clear of obstructions.

## Parts Identification



## Status Description

- 1) Standby: The red dot in the bottom left of the display. (Fig. 1)
- 2) Insufficient Power: Horizontal bars light up across the middle of the display. (Fig. 2)
- 3) Normal Temperature: Flashing green lights surrounding the digital display and an alarm will sound. (Fig. 3)



Fig. 1

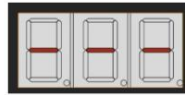


Fig. 2



Fig. 3

- 4) Abnormal Temperature: Flashing red lights surrounding the display and an alarm will sound. (Fig. 4)
- 5) Default setting: (Body mode):
  - 'Lo': Ultra-low temperature alarm. (Fig. 5)
  - 'Hi': Ultra-high temperature alarm. (Fig. 6)



Fig. 4



Fig. 5



Fig. 6

## Before Operation

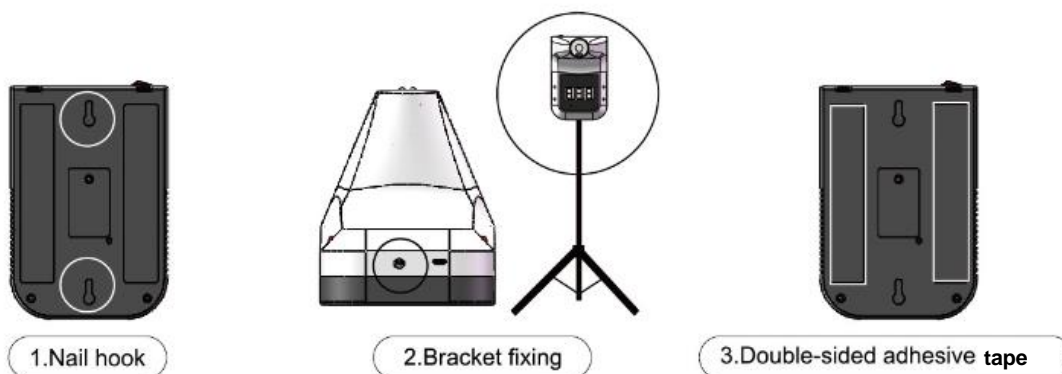
- 1) Install the batteries by removing the three screws on the back of the thermometer and place your 18650 Li-ion rechargeable battery inside.
- 2) To change measurement mode, press and hold the button on the back of the device (Fig. 8) for 3 seconds to switch between surface, body and counting mode.
- 3) To change the temperature unit, press the button on the back of the device (Fig. 8) and select either C or F to represent Celsius or Fahrenheit.



Fig. 8

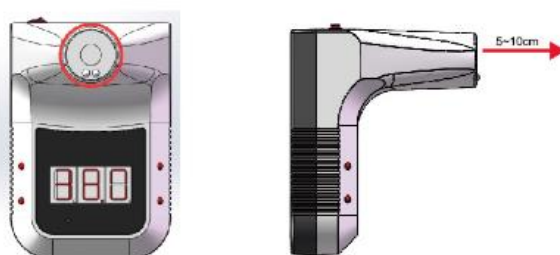
## Mounting the Device

To mount the T-200, use the nail hooks on the back of the device, or strong double sided adhesive tape. It can also be mounted to a bracket or tripod using the screw fitting on the underside of the device.



## Operation

To use the thermometer, stand in front of the thermometer with a distance of 5cm – 10cm between your forehead and the device.



# MARSDEN

+44 (0) 1709 364296  
sales@marsdengroup.co.uk

## Distribution:

Unit 7, Centurion Business Park,  
Coggin Mill Way,  
Rotherham,  
S60 1FB

## Head Office:

Unit 1, Genesis Business Park,  
Sheffield Road,  
Rotherham  
S60 1DX

[www.marsden-weighing.co.uk](http://www.marsden-weighing.co.uk)