



# AS 220.R1 PLUS Analytical Balance

WL-104-0229

More information on the website  
[radwag.com/en/info,w1,LZY](http://radwag.com/en/info,w1,LZY)



The drawings, photos and graphics used are for illustrative purposes only.

## Functions

-  Autotest
-  Dosing
-  Percent Weighing
-  Totalizing
-  Parts counting
-  Peak hold
-  Newton unit measurement
-  Statistics
-  Checkweighing
-  Under-pan weighing
-  GLP Procedures
-  Animal weighing
-  Density determination

## Datasheet

Metrological parameters	
Maximum capacity [Max]	220 g
Minimum load	10 mg
Readability [d]	0.1 mg
Tare range	-220 g
Standard repeatability [5% Max]	0.07 mg
Standard repeatability [Max]	0.08 mg

<b>Metrological parameters</b>	
Standard minimum weight (USP)	140 mg
Standard minimum weight (U=1%, k=2)	14 mg
Permissible repeatability [5% Max]	0.09 mg
Permissible repeatability [Max]	0.1 mg
Linearity	±0.2 mg
Stabilization time	2 s
Adjustment	external
OIML Class	-
<b>Physical parameters</b>	
Leveling system	manual
Display	5.3" LCD (backlit)
Weighing chamber doors	manual
Delivery components	Balance, weighing pan, weighing pan shield, bottom cover, power supply.
Weighing pan dimensions	ø100 mm
Packaging dimensions W x D x H	490×400×520 mm
Net weight	7.3 kg
Gross weight	9.3 kg
<b>Construction</b>	
Protection class	IP 43
<b>Communication interface</b>	
Communication interface	2×RS232, 2×USB-A (interchangeable), USB-B, Wi-Fi (option)
<b>Electrical parameters</b>	
Power supply	Adapter: 100 – 240V AC 50/60Hz 0.6A; 12V DC 1.2A Balance: 12 – 15V DC 0.4A max
<b>Environmental conditions</b>	
Operating temperature	+10 – +40 °C
Relative humidity	40% – 80%

**Repeatability** is expressed as a standard deviation from 10 weighing cycles.

**Stabilization time** depends on the ambient conditions and the dynamics of weighing pan loading; specified for FAST profile.

\* Wi-Fi® is a registered trademark of Wi-Fi® Alliance.



## Accessories (Additional Fee)

Antivibration Tables  
 Holders for laboratory flasks  
 Power Adapters  
 Cigarette lighter receptacle power supply cables  
 Density determination KIT  
 USB cable (scale - printer)  
 Professional Weighing Tables  
 Barcode scanners

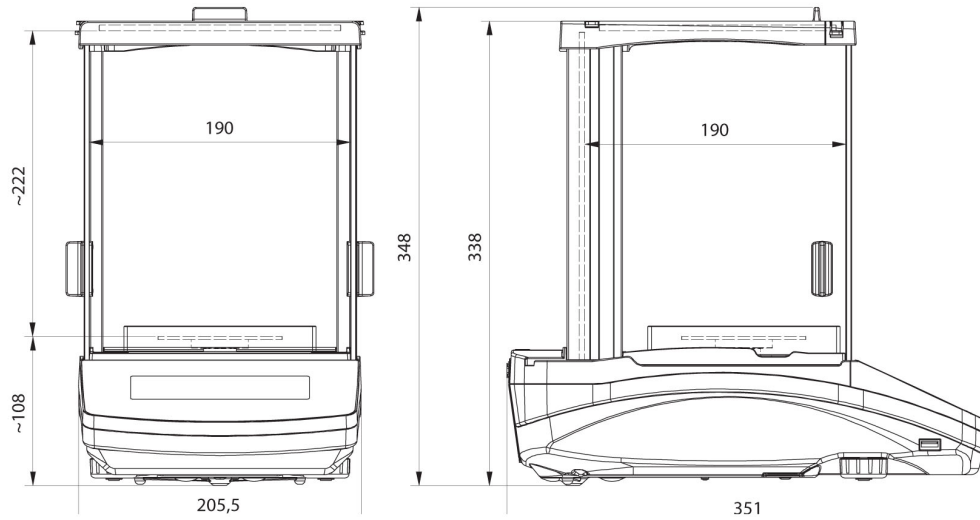
Workstation for Pipettes Calibration  
 RS 232, RS 485 cables  
 Displays  
 Weighing dishes  
 Antistatic ionizer  
 Receipt Printer  
 AP2-1 Current Loop Unit  
 Under-pan weighing

## Software (Additional Fee)

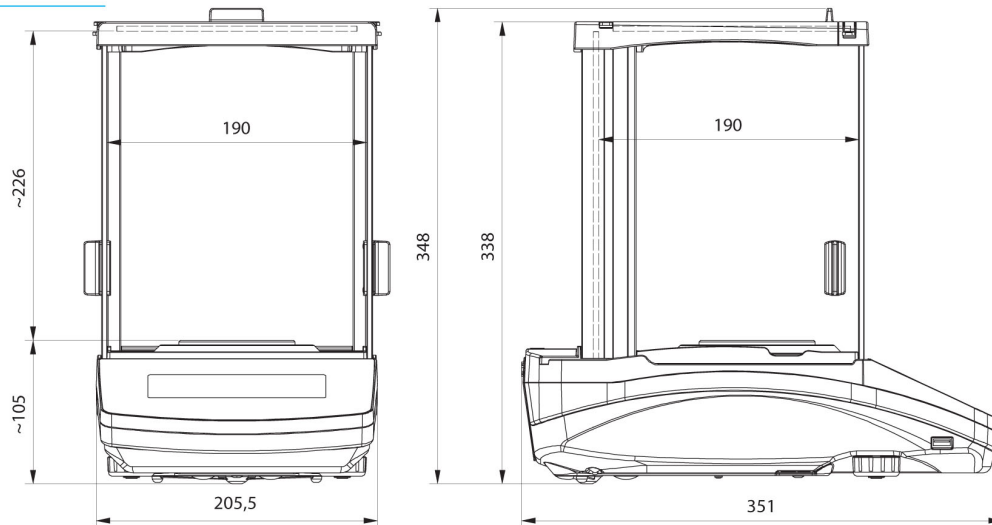
- RAD Key [WX-010-0005]
- Alibi Reader [WX-010-0114]
- RADWAG Development Studio [WX-010-0104]

- R-Panel [WX-010-0187]
- R-Lab [WX-010-0080]

## Device dimensions W x D x H



AS R2, d = 0.01 mg



AS R2, AS R1 d = 0.1 mg